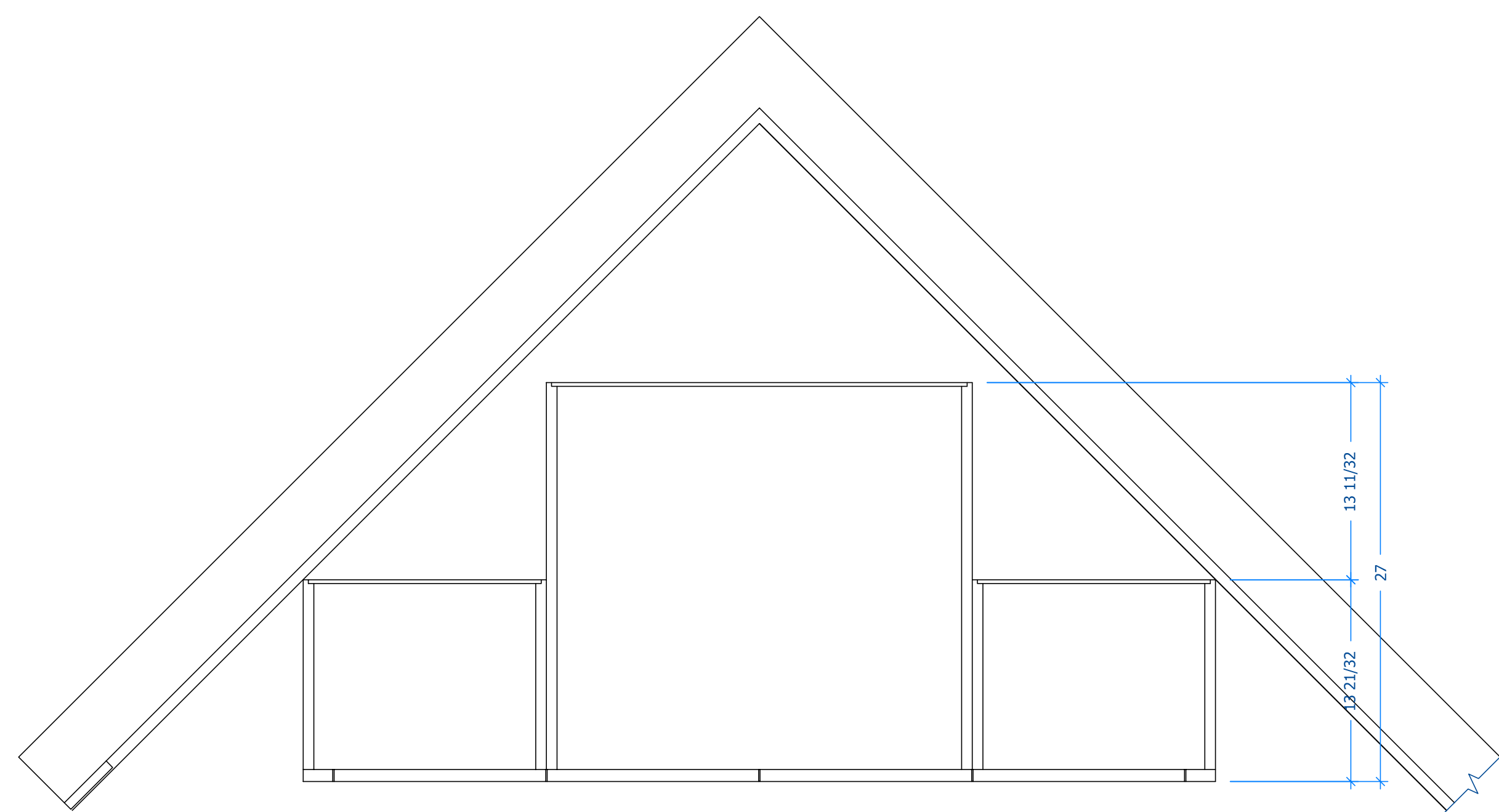
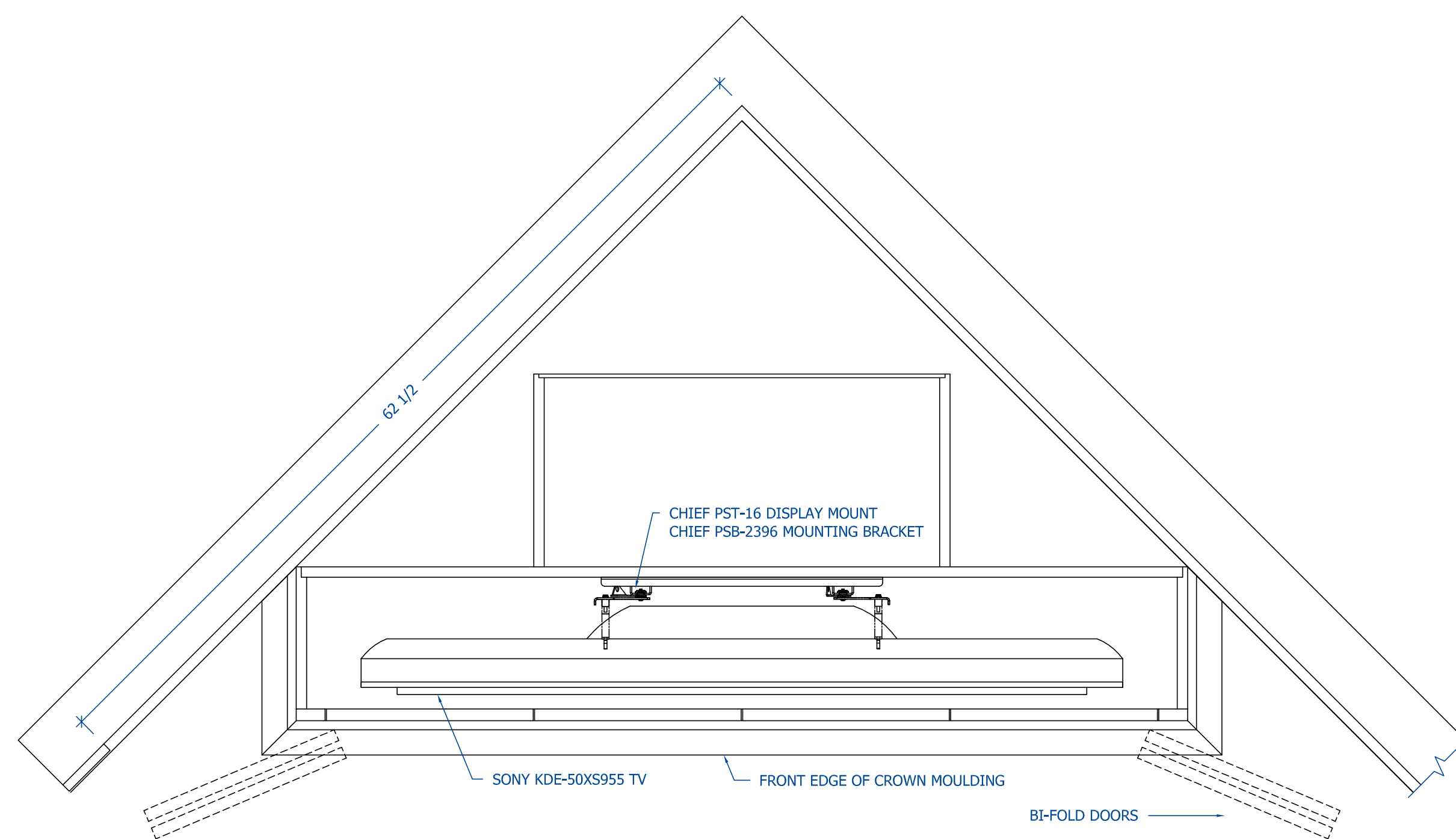


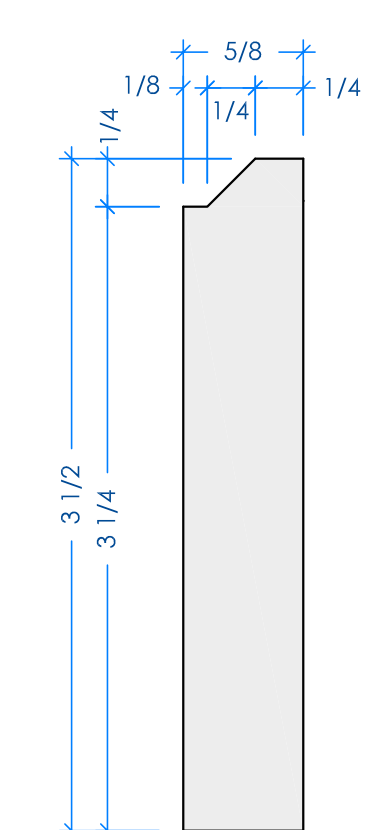
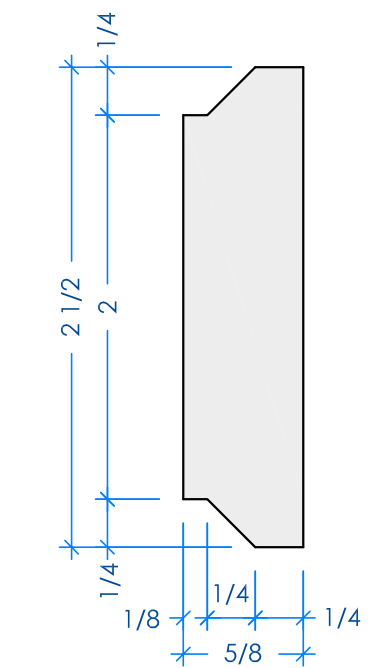
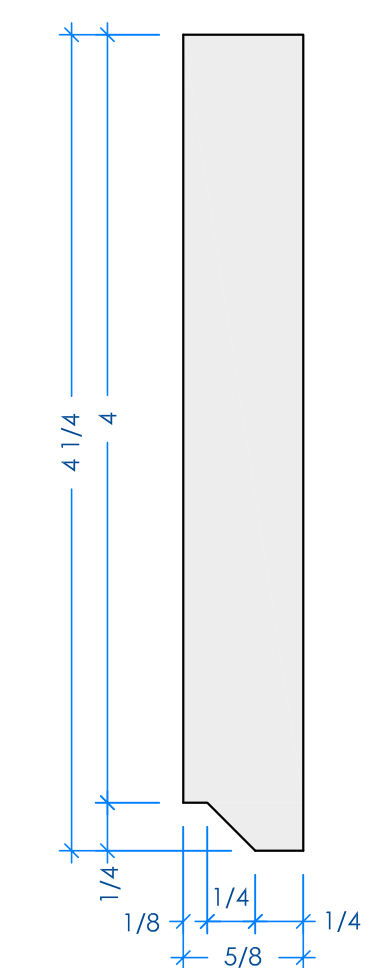
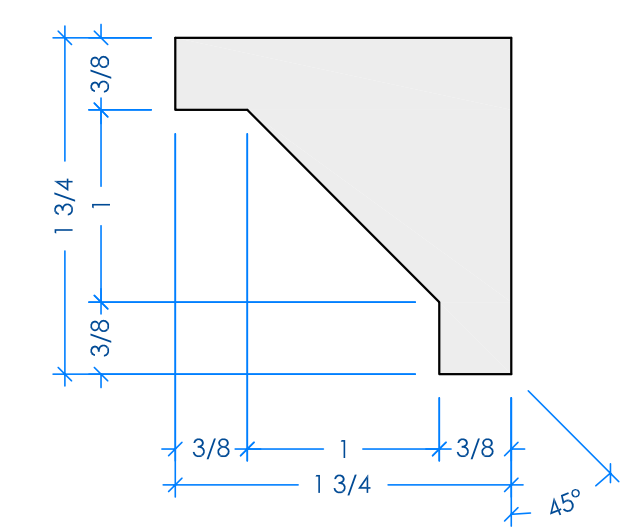
REVISIONS	BY
03.27.08	JA
04.04.08	JA



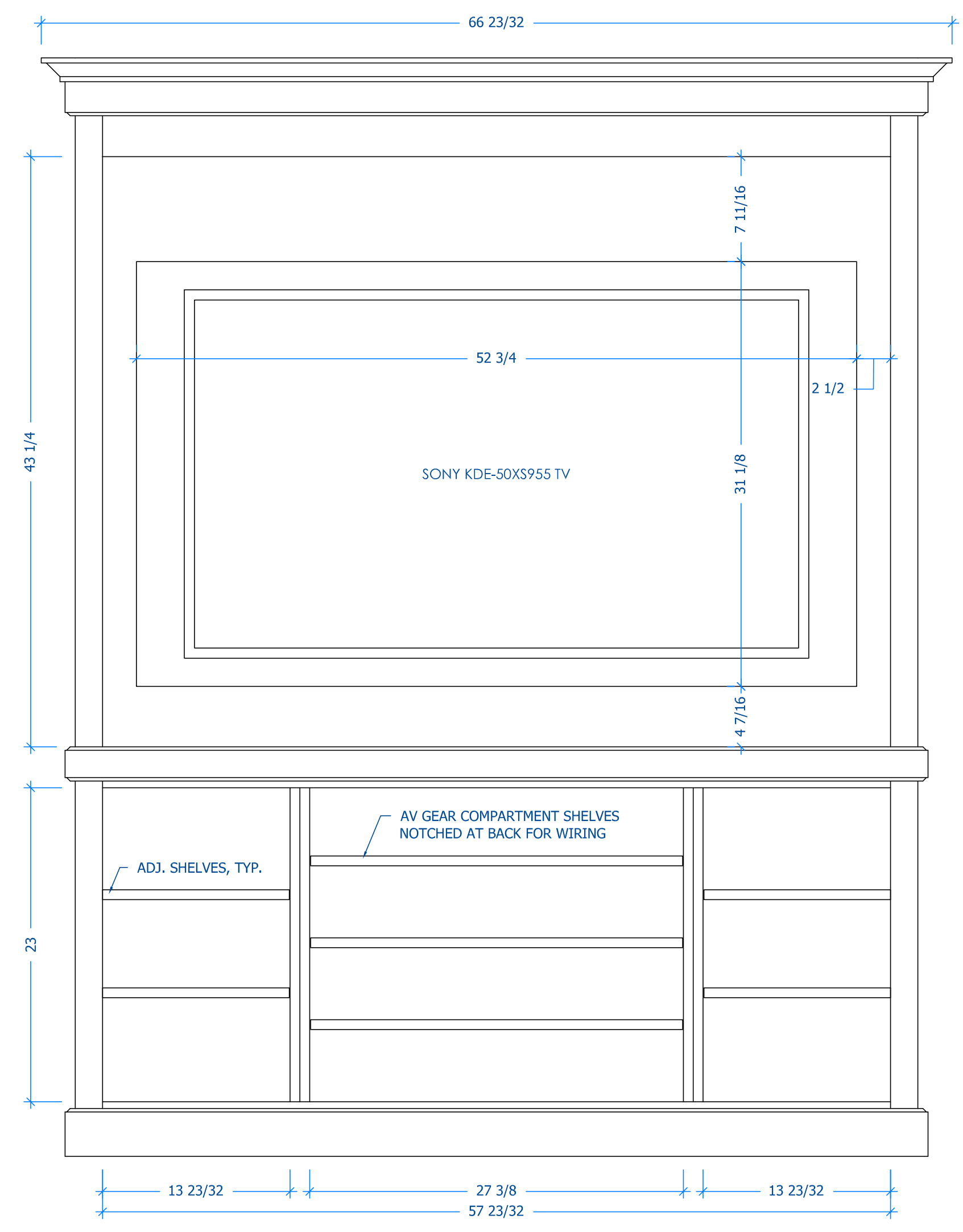
1 LOWER CABINET - PLAN  
1-1/2" = 1'



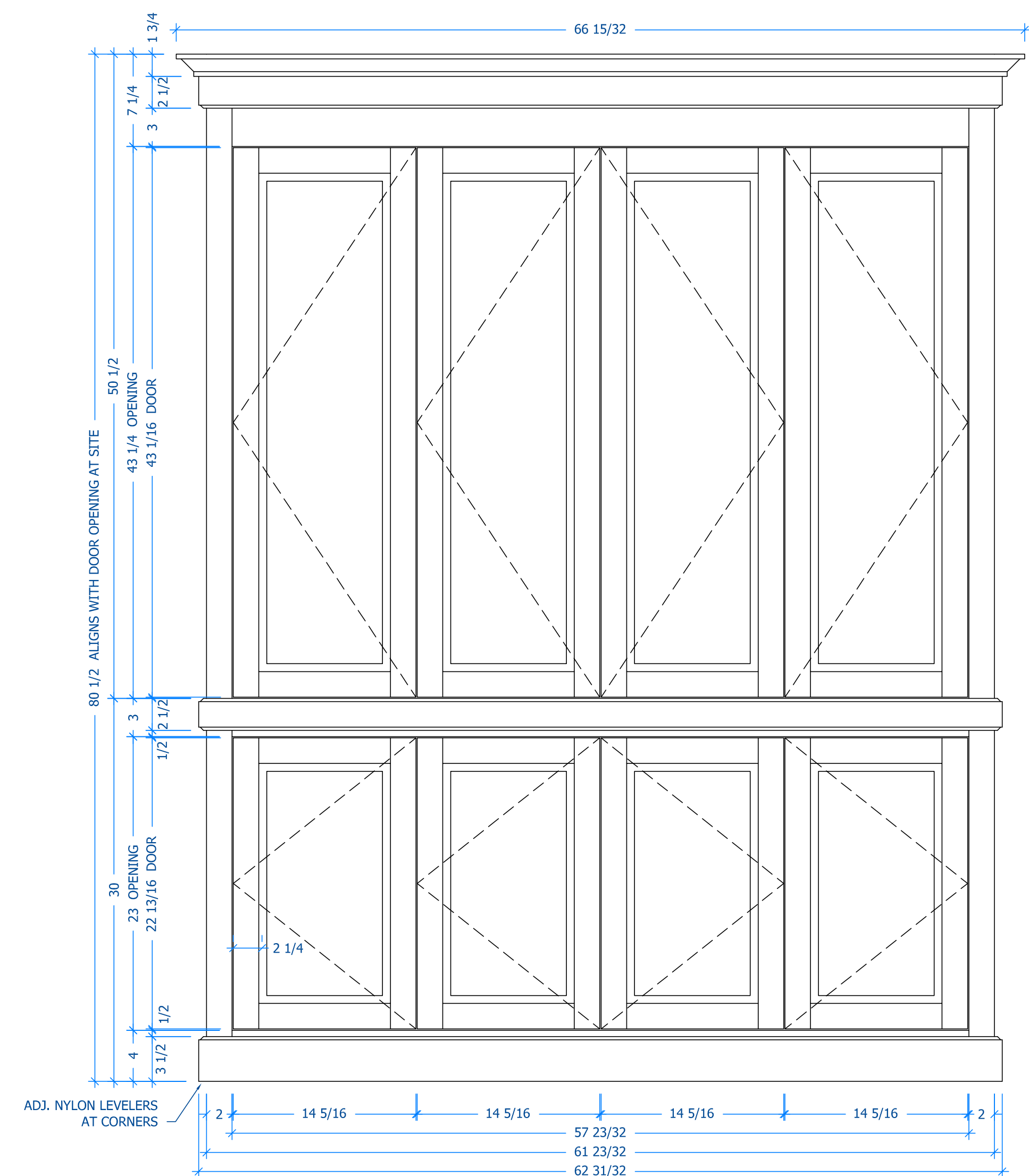
2 UPPER CABINET - PLAN  
1-1/2" = 1'



5 MOULDINGS  
FULL



3 CABINET ELEVATION - W/O DOORS  
1-1/2" = 1'



4 CABINET - ELEVATION  
1-1/2" = 1'

FREESTANDING CORNER TV + STEREO CABINET FOR KEVIN + ARAMIE McDONALD.  
FABRICATED FROM CHERRY WOOD, VENEER AND SOLID.  
CUSTOM STAIN AND LACQUER FINISH, SATIN SHEEN.  
HARDWARE TO BE SELECTED BY DESIGNER.

**MITCHEL BERMAN CABINETMAKERS**  
472 PRIMERO COURT, UNIT C, COTATI, CA 94931 PHONE 707.795.8495 FAX 707.664.9146  
WWW.BERMANCABINETMAKERS.COM

**McDONALD**  
TV CABINET  
DATE: 03.24.08  
SCALE: VARIOUS  
DRAWN: August  
SHEET: TV-101